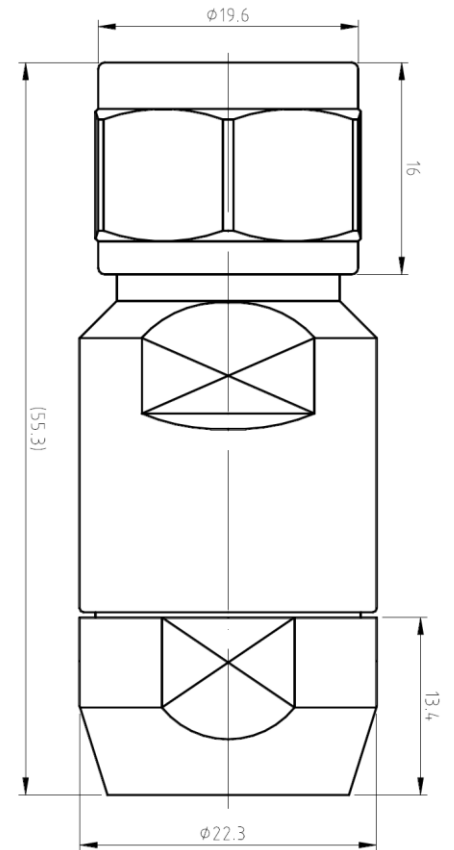


SPECIFICATIONS

Description	Specification
Frequency Range	DC ~ 3000 MHz
Insertion Loss	≤0.08 dB
VSWR	≤1.10:1
Nominal Impedance	50Ω
Withstanding Voltage	1400V
PIM	≤-155dBc @ 2x43dBm
Inner Conductor	Brass/Beryllium bronze, Ag>5μm
Outer Conductor	Brass, Copper-tin-zin 2μm
Nut	Brass, Ni>5μm
Gasket	Silicone rubber
Insulator	PTFE

Application Image



FEATURES:

This N Type Male RF Connector is designed for use on 1/2" corrugated coax. An automated 1/2" drill tool is used to prep the cable for termination. Assembly is pretty simple and performance is very good. Return loss averages above 30dB between 600 – 2700 MHz. PIM is very low at 155dBc. Supplied with this connector is a 3" length of heat shrink to complete your termination.

- Multi-Band (DC-3000 MHz)
- Low PIM (≥155dBc)
- N Type Connector
- Very low insertion loss